

Since 1958

Every drop of water counts

Dasmesh®

Woltman Type Water Meter

(Removable Mechanism)

as per Class-B of ISO-4064/1

Magnetic Driven with Flange Ends

Model : DWT

MID Approved



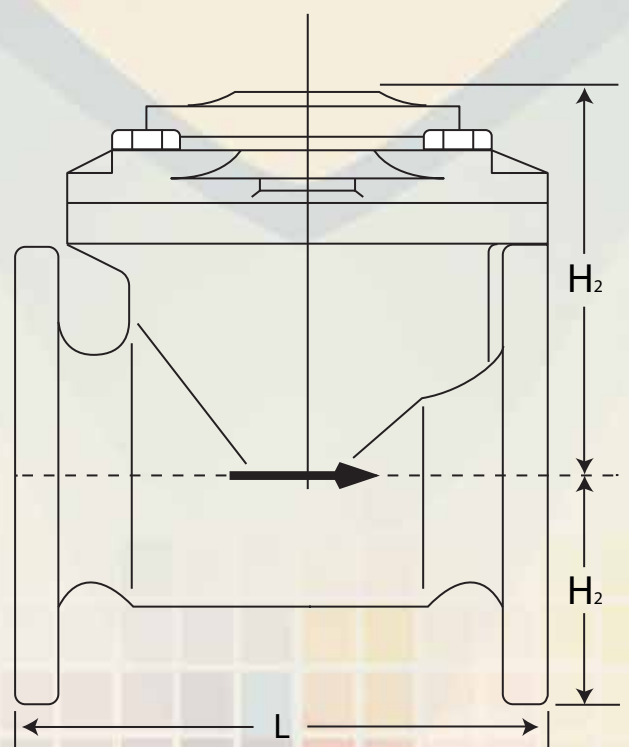


SALIENT FEATURES

- Dry dial magnetic driven flange ends with pulse output
- Interchangeable spare part without interrupting water supply
- Provide resistance against condensation hermetically sealed copper casing as per IP68
 - Offers high measurement sensitivity and accuracy
 - Size range from 40mm to 500mm

DIMENSIONS

Size of Meter		Test Pressure Kg/cm ²	Overall Length L mm	Height	
mm	inches			H ₁ mm	H ₂ mm
50	2	16	240	72	155
65	2½	16	233	97	153
80	3	16	233	97	153
100	4	16	247	103	149
150	6	16	310	135	220
200	8	16	355	170	185
250	10	16	450	231	194
300	12	16	500	256	226
400	16	16	600	365	282
500	20	16	740		



Flanges drilled as per I.S.S. unless otherwise specified

Working Condition:

- Water Temperature 50°C
- Water Pressure ≤ 1 MPa
- Pressure Loss < 0.1 Pa
- Maximum Pressure-16 Bar

PERFORMANCE DATA

Size of Meter		Maximum Flow $\pm 2\%$ KL/H	Nominal Flow $\pm 2\%$ KL/H	Transitional Flow $\pm 2\%$ KL/H	Minimum Flow $\pm 2\%$ KL/H
mm	inches				
50	2	30	15	3	0.45
65	2½	50	25	5	0.75
80	3	80	40	8	1.20
100	4	120	60	12	1.80
150	6	300	150	30	4.50
200	8	500	250	50	7.50
250	10	800	400	80	12.00
300	12	1200	600	120	18.00
400	16	2000	1000	200	30.00
500	20	3000	1500	300	45.00

Performance Data Table as per ISO-4064/1 Class-B



This design is also available for Hot Water,
Oil Meter upto 120°C





Dasmesh[®]

ENGINEERING WORKS

35, EAST MOHAN NAGAR, AMRITSAR, PB-143006 INDIA

Mobile : +91-92160 05007

: +91-92162 20774

Phone : +91-183-2582617

: +91-183-2582618

email : dasmeshwatermeter@yahoo.com

: dasmeshamanpreet@gmail.com

www : www.dasmeshwatermeter.com

WE HAVE NO SISTER CONCERN